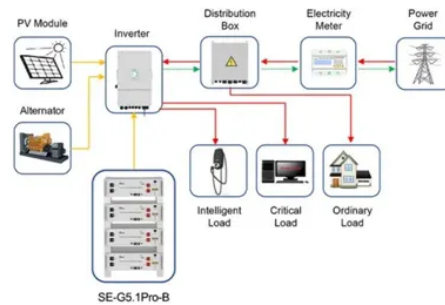


United arab emirates solar cabinet system



Application scenarios of energy storage battery products

Overview

Once it's online, will become the largest combined solar and battery energy storage system (BESS) in the world. Located in Abu Dhabi, the project will feature a 5.2 GW solar PV plant coupled with a 19 gigawatt-hour (GWh) BESS.



Article Content

Leeds United FC

r/LeedsUnited is a community of Leeds United fans, therefore to foster discussion comments that are overly offensive, aggressive, or discriminatory, are not allowed. Generally, when posting an article,

How is United Healthcare? : r/HealthInsurance

United Health Care insurance company CEOs only care about their pockets. I was a triage nurse there for 3 years and seen first hand what they put people through. My heart went out to so

Heavy-Duty Energy Storage Cabinets for UAE Industrial Sector:

This article explores how wholesale energy storage solutions empower factories, oil refineries, and construction giants across the Emirates while aligning with national climate goals.

Top five energy storage projects in the UAE

Listed below are the five largest energy storage projects by capacity in the UAE, according to GlobalData's power database. GlobalData uses proprietary data and analytics to

United Fare Class chart

Special flairs: If you're a United employee or Global Services member, PM /u/Player72 with proof (ID badge or similar) and you can get a special flair. Don't come in here with a low quality rant without

Are United lounges worth it? : r/unitedairlines

The Polaris lounges are excellent almost without exception, United Clubs are often crowded, again almost without exception and the food is not very good. The positives of the United

ess-solutions - MKC Group of Companies

MKC Group of Companies is an official partner in energy storage devices built on CATL battery systems — a world leader in the production of lithium energy

SOLAR ENERGY IN THE UNITED ARAB EMIRATES A REVIEW

The Symtech Solar Battery Energy Storage Cabinet (MEG 100kW x 215kWh) is a fully integrated, PV-ready hybrid energy storage solution designed for both on-grid and off-grid applications.

United Kingdom

For the United Kingdom of Great Britain (England, Scotland, Wales) and Northern Ireland; News, Politics, Economics, Society, Business, Culture, discussion and anything else UK related.

The world's largest solar + storage project will deliver

The United Arab Emirates is building the world's largest solar and battery storage project that will dispatch clean energy 24/7.

Delta vs United? : r/delta

But United seems to have better international destination than Delta. United seems to go to more places internationally than Delta. I do think delta is the better airline overall but international

/r/RedDevils: The Reddit home for Manchester United

During the Transfer Windows, United are linked with just about every player that is likely to move, and as such every news site is battling to get your views. This clogs up the sub with a lot of unreliable posts.

United Arab Emirates Solar Energy Storage Cabinet

Durable & Cost-Effective Energy Storage Cabinets - Your Trusted Sheet Metal Supplier Read more

United Airlines

United won't cancel the flight and return the luggage. So, any passenger with a checked bag is completely stuck. Any passenger who may actually want a refund for this nonsense is also stuck.

ASUNIM U.A.E. - energy matters

Engineering asunim designs solutions for on and off-grid solar power systems of all sizes and provides its clients with a safe bet for their future energy requirements.

Energy Storage Systems

We build energy storage systems using the most advanced batteries from world leaders in the field. Together with our partners, we enable efficient use of electric power which helps utilities evaluate,

Solutions for energy storage systems (ESS)

The successful global experience of implementing storage systems is about 0.5 GWh for 2020-2021 and will be increased to 1.5 GWh in 2022. A number of pilot projects for the introduction of storage

Book ANA award with United Mileage Points. : r/awardtravel

United's site is easy to search and there are a number of quality blog posts out there if you need help with their user interface Airlines "award currency" are not transferable to other airlines

Can I cancel a United flight booked with miles? : r/unitedairlines

Question This is what nerdwallet tells me: "If you paid for your ticket with United MileagePlus miles, you can cancel your flight online or by calling customer service. As of Jan. 1,

EnergyBox

We are experts in the design and installation of solar panels, battery storage and electric car charging systems and have a proven track record for delivering

Contact Us

For more information, pricing, or custom solutions, please contact us:

Website: <https://www.global-padel.co.za>

Email: info@global-padel.co.za

Phone: +27 63 918 4725

Address: 22 Bree Street, Cape Town City Centre, 8001, South Africa

This document is for informational purposes only. Specifications subject to change without notice.

